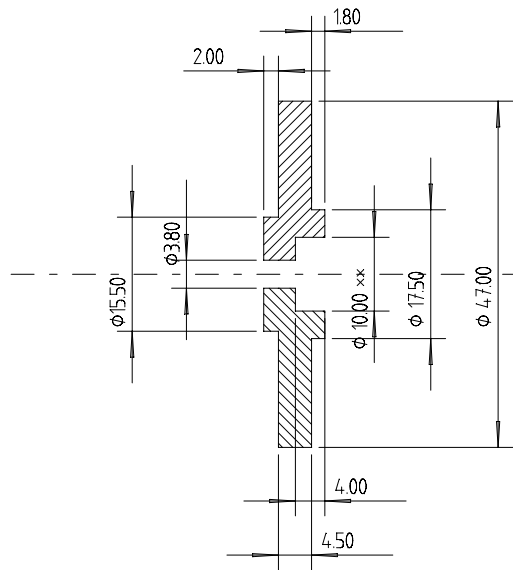
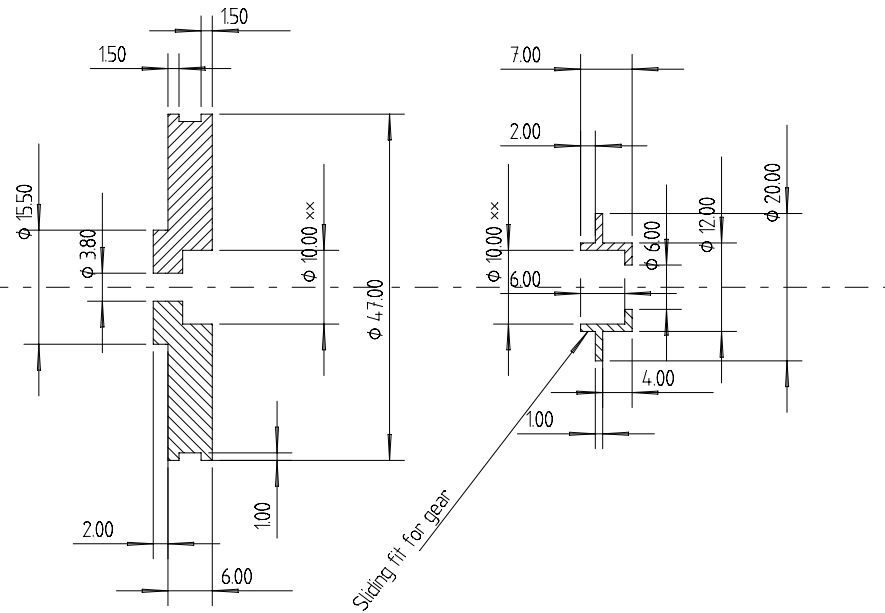


Donkey Drum/Clutch Side (#52)



xx light press fit for ball bearing

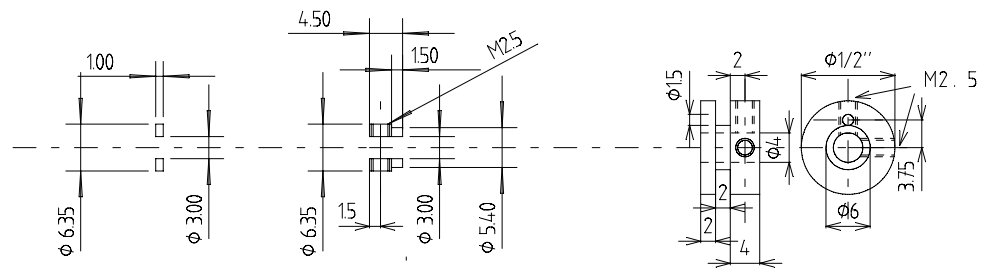
Donkey Drum/Brake Side (#51)



Sliding fit for gear

Bushing for gear (#59)

Drum: 43mm long piece of 1/2" PVC tubing  
OD 21.4mm ID 15.5mm



End stop (#60)

Thrust Collar (#61)

Brake Spool (#66)