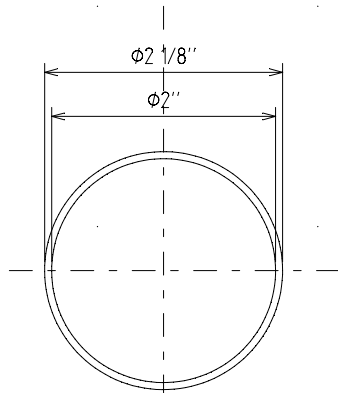
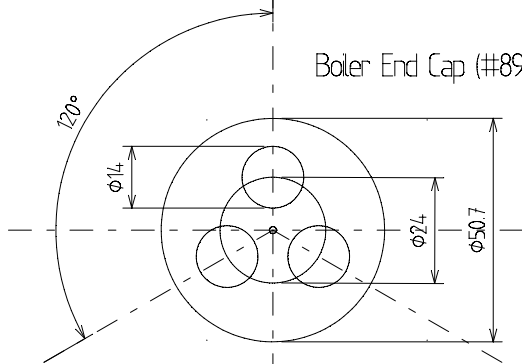


Boiler end plate (#89 if flanged)

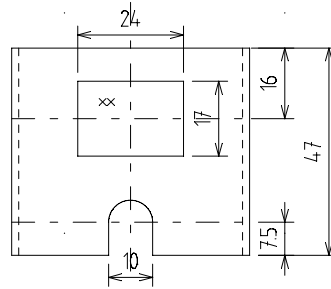


×× Check on real door



Boiler End Cap (#89)

Cu 16mm thick (Gauge?)



Firebox (#93)

Sheet #3 HM

