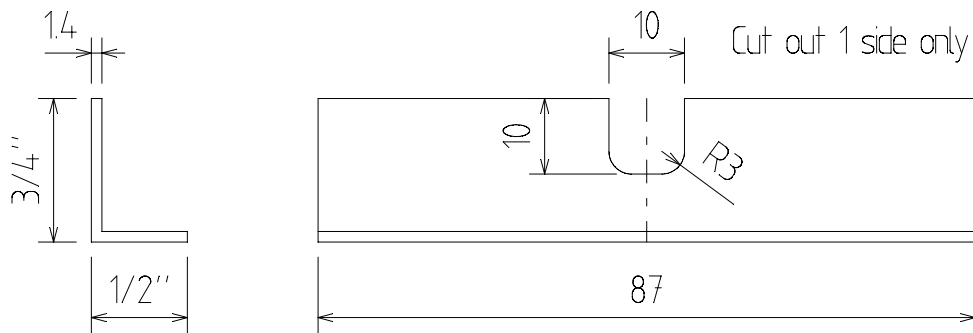
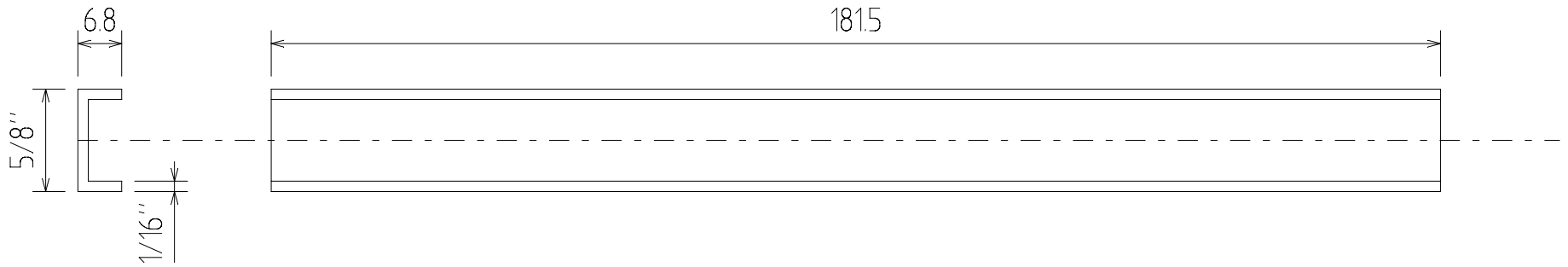
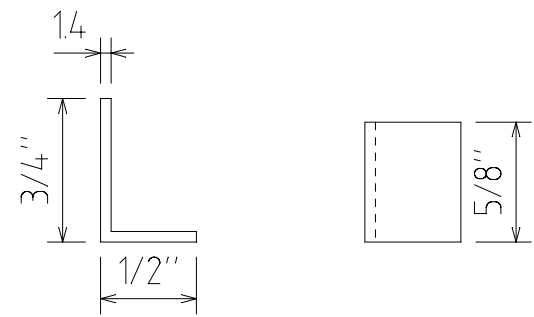


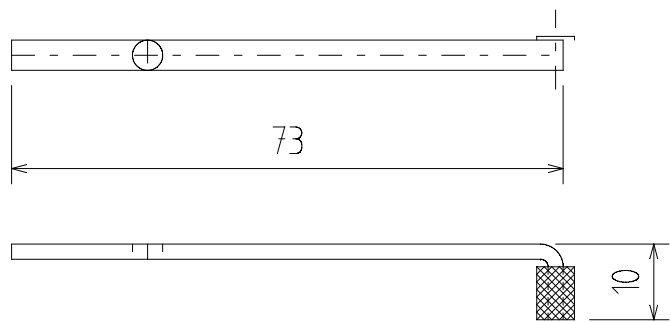
Side Beams (#30)



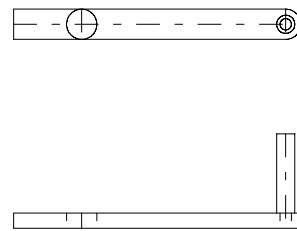
End Beams (#31)



Corner Braces (#33)



Brake Handle (#71)



Clutch levers (#70)

Under Construction !